

Ergo XI Fixed Arm

Strong, Stylish and Practical

The Ergo XI Fixed Arms from Northfield remain at a non adjustable stationary height. Made from a heavy-duty construction, the Ergo XI Fixed Arm provides strength and durability. The polypropylene sleeve adds to the overall appearance of the arm.

The Ergo XI Fixed Arm can fasten directly to the seat board or can be tailored to work with several arm brackets found within the Northfield product line.

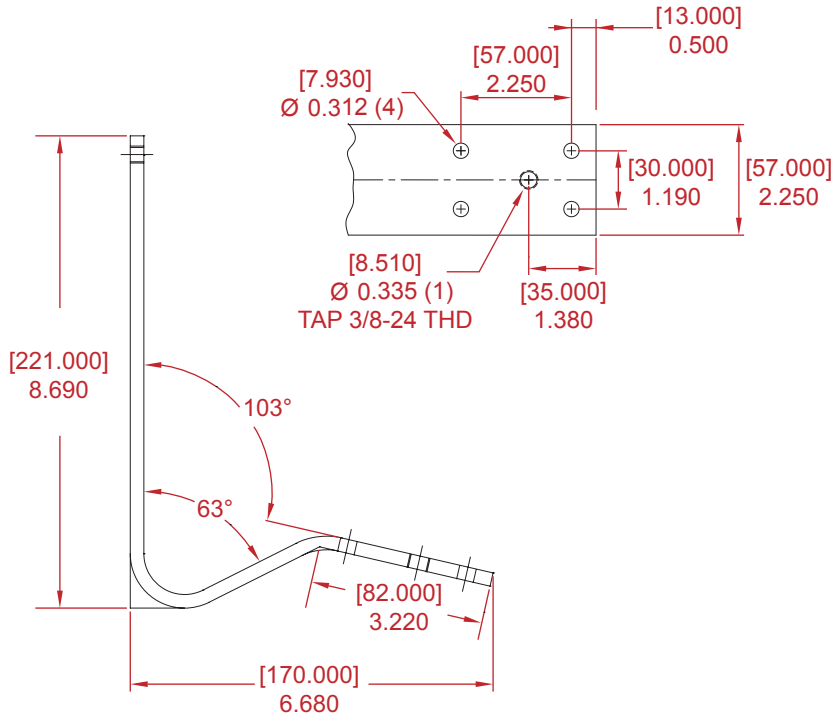


Fixed Ergo XI CS-ADJ shown with Simcoe Arm Pads

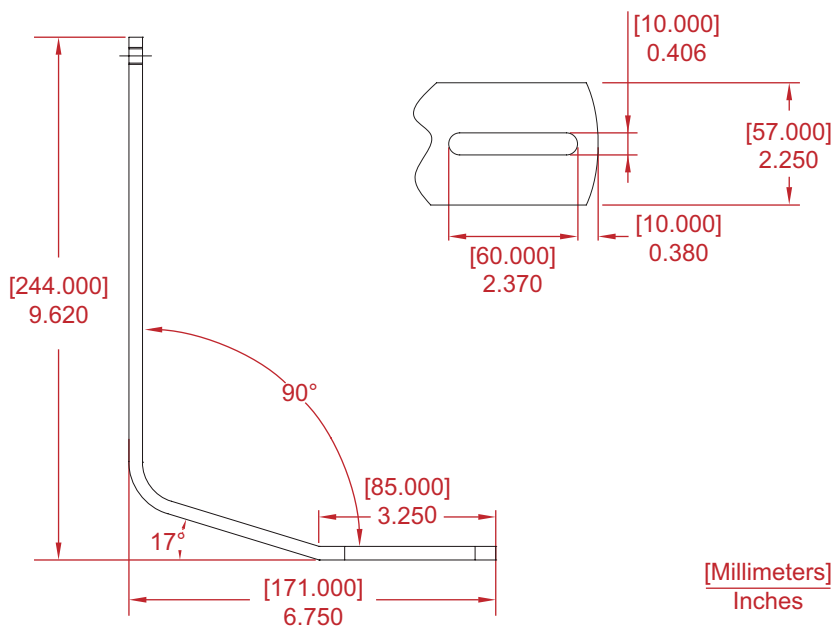


Fixed Ergo XI S-ADJ shown with the Emerald Arm Pad

CS-ADJ Dimensions



S-ADJ Dimensions



[Millimeters]
Inches

Arm Bracket Options



Northfield Metal Products Ltd.

195 Bathurst Drive

Waterloo, ON N2J 3Z9 CANADA

☎ 519-884-1860

☎ 1-866-362-9301 (Canada/USA)

☎ 1-800-362-9301 (International)

☎ 519-884-5476

✉ sales@northfieldmetal.on.ca



NORTHFIELD METAL PRODUCTS

A division of *Leggett & Platt*, Ltd.

© 2008 Northfield Metal Products Ltd. The shape of a Northfield Chair Control is a TRADE-MARK of Northfield Metal Products. The shape is your guarantee that you have purchased a genuine, high quality product made by Northfield. Northfield Metal Products Ltd. is a division of Leggett & Platt Ltd. Printed in Canada.



Manufacturer certifies that this product meets or exceeds applicable ANSI/BIFMA standards.

