

Tubular Mesh Back Frame

You provide the mesh and we'll provide the rest...

The stylish Northfield tubular mesh back frame fits in with practically any office environment — not to mention your budget.

Made available for Executive, Conference, Task, Side Chair and Stool applications, this lightweight frame provides shape and design.

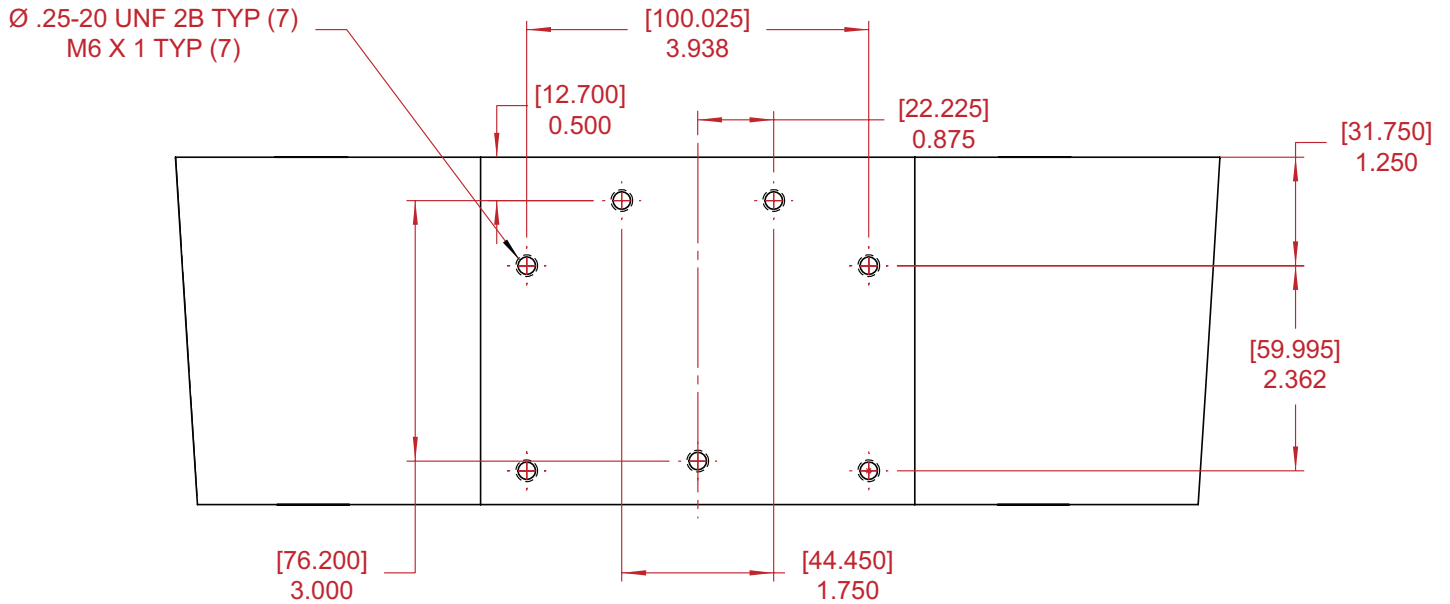
The Northfield Mesh Back Frame is available with a Fixed J-Shaped back upright or Euro Back Style back upright attachment.

The Auto Concealed Height Adjustment (CHA) III back upright option is available in a 3.00 inch width and can be added to all 3.00 inch wide flat bar back uprights. Height adjustment can be obtained by lifting up on the chair back. The overall travel is 2 5/8" with seven locking positions. The Auto CHA III can also be equipped with a 3 7/8" travel option.

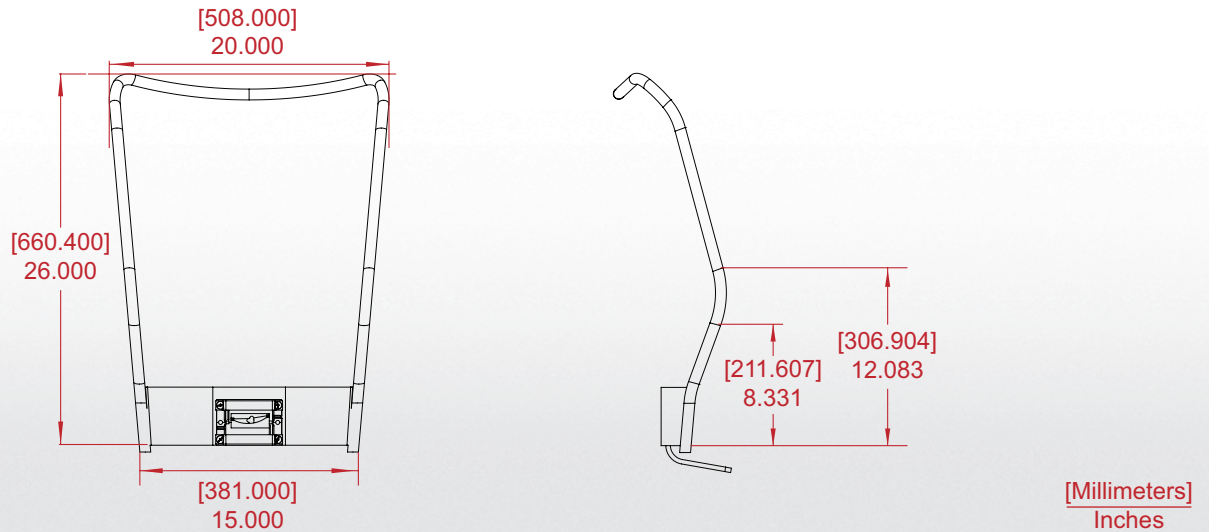


Mesh Back Frames with the Auto CHA III height adjuster provide 2 5/8" travel (seven locking positions). A 3 7/8" travel option providing 10 locking positions is available as well.

Back Upright and Auto CHA III Mounting Hole Locations



Mesh Back Frame Profile



Northfield Metal Products Ltd.

195 Bathurst Drive
Waterloo, ON N2J 3Z9 CANADA

- ☎ 519-884-1860
- ☎ 1-866-362-9301 (Canada/USA)
- ☎ 1-800-362-9301 (International)
- ☎ 519-884-5476
- ✉ sales@northfieldmetal.on.ca

© 2009 Northfield Metal Products Ltd. The shape of a Northfield Chair Control is a TRADE-MARK of Northfield Metal Products. The shape is your guarantee that you have purchased a genuine, high quality product made by Northfield. Northfield Metal Products Ltd. is a division of Leggett & Platt Ltd. Printed in Canada.



Manufacturer certifies that this product meets or exceeds applicable ANSI/BIFMA standards.

