

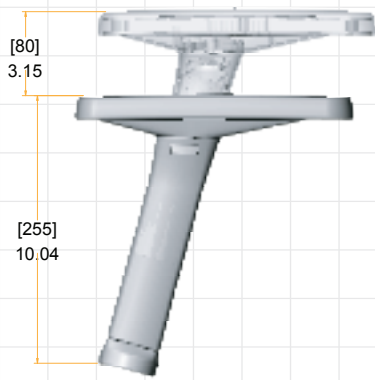
NORTHFIELD METAL PRODUCTS 4 MOTION-arm

... stylish, forward swept arm with smooth functions.

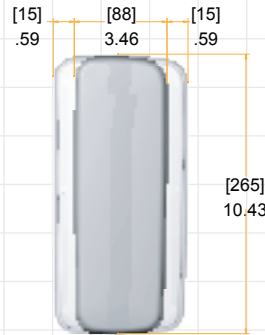
This multi-functional arm incorporates motions that will provide comfort and relief from tensions and stresses related to uncomfortable and static sitting.



Please contact us for more information
sales@northfieldmetal.on.ca



1st MOTION Activated by a side button, located under the arm pad, 4MOTION-arm features 3 1/8" (80mm) of vertical travel to help relieve upper back and shoulder fatigue.



3rd MOTION A further ability for the arm pad to move laterally .59" (15mm) inward or .59" (15mm) outward allows for arm width comfort.



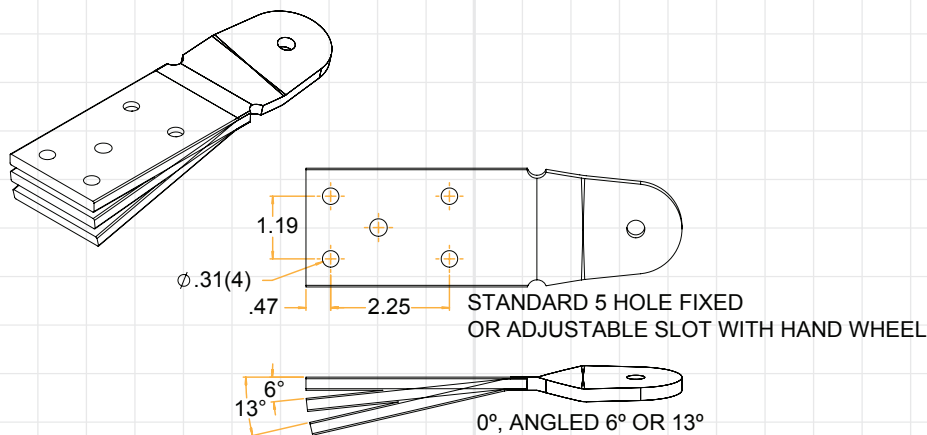
2nd MOTION The ability for the arm pad to move longitudinally 1.57" (40mm) forward and 1.57" (40mm) back by friction-activated adjustment, allows the user to get closer to their work surface while maintaining effective use of the backrest.



4th MOTION An ability for the arm pad to pivot inward 20 degrees or outward 20 degrees provides the user with more natural forearm support & motion common to various tasks such as keying and mouseing.

OPTIONS

OPTIONS FOR MOUNTING BAR



NEW CS CAM ACTIVATED LAT 5th MOTION



[MILLIMETRES]
INCHES



Manufacturer certifies that this product meets or exceeds applicable ANSI/BIFMA standards.



Northfield Metal Products Ltd. a division of Leggett & Platt Canada Co.
195 Bathurst Drive Waterloo, ON N2J 3Z9 CANADA

phone (519) 884-1860 | toll-free 1 (866) 362-9301 (Canada/USA) | toll-free 1 (800) 362-9301 (International) | fax (519) 884-5476
email sales@northfieldmetal.on.ca | web www.northfieldmetalproducts.com

© 2017 Northfield Metal Products Ltd. The shape of a Northfield Chair Control is a TRADE-MARK of Northfield Metal Products. The shape is your guarantee that you have purchased a genuine, high quality product made by Northfield. Northfield Metal Products Ltd. is a division of Leggett & Platt Canada Co Printed in Canada.



Progress through engineering and design

NORTHFIELD METAL PRODUCTS

A DIVISION OF Leggett & Platt CANADA CO.