

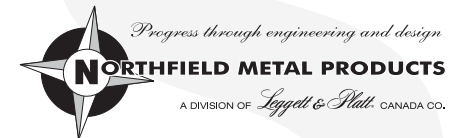
**NORTHFIELD**

# T791 STP-II



## Simplified Synchronicity...

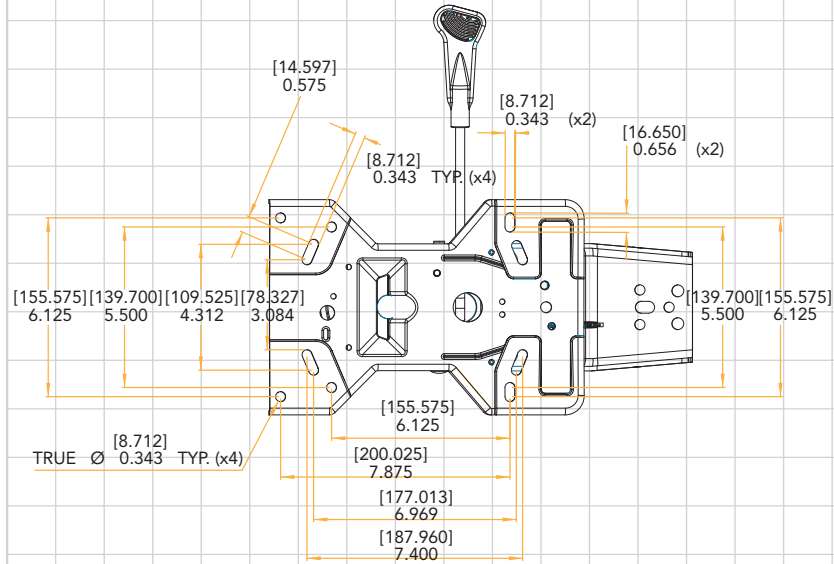
The T791 STP-II mid-pivot synchro-tilt mechanism was designed for use on two piece semi-executive and executive chairs. This mechanism is equipped with a 3 position P.B.R. locking device (Positive Back Release), and pneumatic height adjustment. The T791 STP-II was designed with one lever which controls both the tilt lock and pneumatic height adjustment. An up and down motion on the lever will activate the gas cylinder for seat height adjustment, while a fore and aft movement engages and disengages the lock on the back. The T791 STP-II mechanism utilizes 4 different back options and can be equipped with an Auto Style Integrated Seat Slider or a Cam Activated Seat Slider (2.50" of travel / factory installed) for seat depth adjustment.



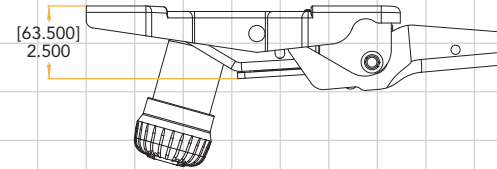
## MEASUREMENTS

### SEAT PLATE MOUNTING VIEW

#### TOP PROFILE

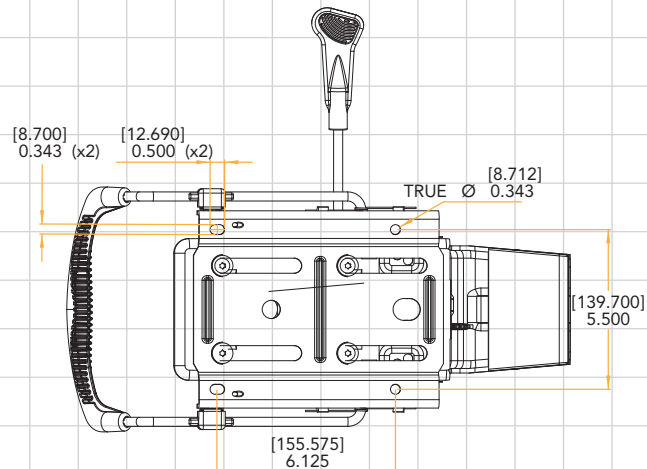


#### SIDE PROFILE

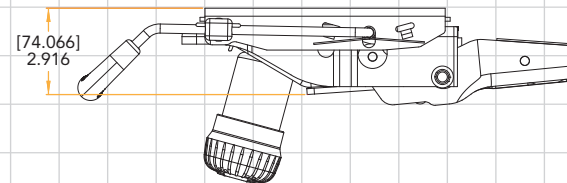


### INTEGRATED SEAT SLIDER MOUNTING VIEW

#### TOP PROFILE



#### SIDE PROFILE



## SPECIFICATIONS

### MECHANISM FEATURES

The pneumatic TA and Tilt Lock is incorporated into one lever. The TA is controlled by lifting up on the paddle for seat height adjustment. The Tilt Lock is controlled by moving the lever in a forward and aft motion to lock and disengage the back.

- The spring tension handwheel has directional arrows indicating tension adjustment
- 4 available back options
- 3 position P.B.R. locking device (Positive Back Release)
- 17-4E Gas Cylinder Taper

### MECHANISM ANGLES

#### Seat Forward

- Rearward 3.5°
- Rearward 14.5°

#### Back

- Rearward 18°

Northfield Metal Products Ltd.  
a division of Leggett & Platt Canada Co.  
195 Bathurst Drive  
Waterloo, ON N2J 3Z9 CANADA

phone: (519) 884-1860  
toll-free: 1 (866) 362-9301 (Canada/USA)  
toll-free: 1 (800) 362-9301 (International)  
fax: (519) 884-5476  
email: sales@northfieldmetal.on.ca

BIFMA  
INTERNATIONAL

Manufacturer certifies  
that this product meets  
or exceeds applicable  
ANSI/BIFMA standards.



Progress through engineering and design

NORTHFIELD METAL PRODUCTS

A DIVISION OF Leggett & Platt CANADA CO.

© 2011 Northfield Metal Products Ltd. The shape of a Northfield Chair Control is a TRADE-MARK of Northfield Metal Products. The shape is your guarantee that you have purchased a genuine, high quality product made by Northfield. Northfield Metal Products Ltd. is a division of Leggett & Platt Canada Co. Printed in Canada.