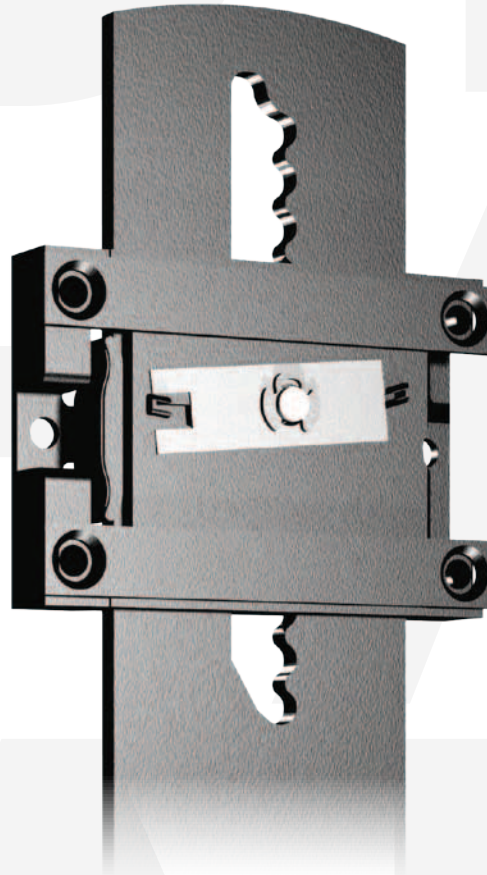


**NORTHFIELD**

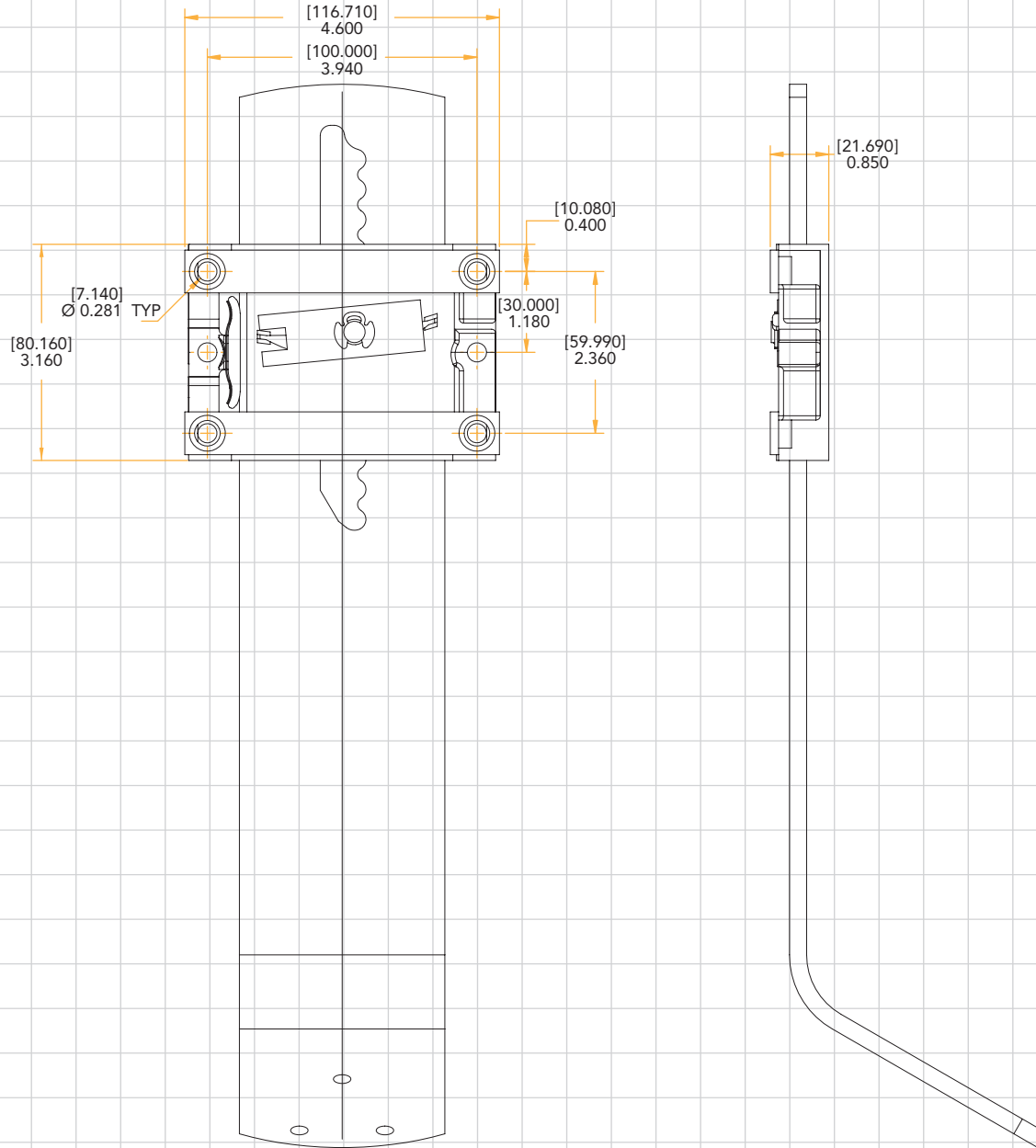
# AUTO CHA-IV



The Auto Concealed Height Adjuster IV back upright option provides vertical adjustment to allow the lumbar support to be placed where it is needed on your chair. The Auto CHA-IV is available in 3.00" width material and can be added to all 3.00" wide flat bar back uprights.

Height adjustment is obtained by lifting up on the chair back. The CHA mechanism operates by moving the chair back up on a concealed ratchet system within the back itself. Once the maximum height is reached a further lift returns the chair back to the bottom of its height adjustment.

## MEASUREMENTS



## DETAILS

The Auto CHA-IV is available in three travels – 2 5/8" (7 locking positions), 3 15/16" inches (10 locking positions), and 5 1/4" inches (13 locking positions).

Depending on your chair requirements the Auto Concealed Height Adjuster IV can be utilized on 1/4" and 5/16" back bar material.

Allow us to customize your back upright needs by providing infinite solutions regarding back bar angle, height, and hole pattern / slot configurations to further refine the look and feel of your chair.

**Northfield Metal Products Ltd.**  
a division of Leggett & Platt Canada Co.  
195 Bathurst Drive  
Waterloo, ON N2J 3Z9 CANADA

**phone:** (519) 884-1860  
**toll-free:** 1 (866) 362-9301 (Canada/USA)  
**toll-free:** 1 (800) 362-9301 (International)  
**fax:** (519) 884-5476  
**email:** sales@northfieldmetal.on.ca

**BIFMA**  
INTERNATIONAL

Manufacturer certifies  
that this product meets  
or exceeds applicable  
ANSI/BIFMA standards.



*Progress through engineering and design*

**NORTHFIELD METAL PRODUCTS**

A DIVISION OF Leggett & Platt CANADA CO.

© 2011 Northfield Metal Products Ltd. The shape of a Northfield Chair Control is a TRADE-MARK of Northfield Metal Products. The shape is your guarantee that you have purchased a genuine, high quality product made by Northfield. Northfield Metal Products Ltd. is a division of Leggett & Platt Canada Co. Printed in Canada.